

Complete Flags for Heroes Sets

Pole, Flag, Attachment Hardware, Anchor/Floor Plate

Outdoor Display Sets

Pole, Flag, Ground Socket Pole Anchor

Indoor Flag Sets

Pole, Flag, Floor Plate

Regal 10

Standard



REGAL 10 SERIES

- #R1001 w/printed polyester US flag
- #R1002 w/embroider-sewn nylon US flag
- #R1003 w/Air Force flag
- #R1004 w/Army flag
- #R1005 w/Coast Guard flag
- #R1006 w/Marine Corps flag
- #R1007 w/Navy flag
- #R1008 w/POW flag
- #R1009 w/Custom Dye-Sub flag
(refer to page 3 for CUSTOM DYE SUB orders)

NEW Classic 7

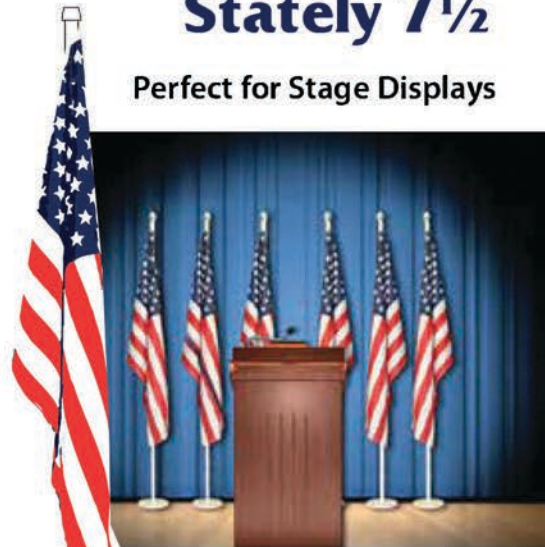


CLASSIC 7 SERIES

- #C2001 w/printed polyester US flag
- #C2002 w/embroider-sewn nylon US flag
- #C2003 w/Air Force flag
- #C2004 w/Army flag
- #C2005 w/Coast Guard flag
- #C2006 w/Marine Corps flag
- #C2007 w/Navy flag
- #C2008 w/POW flag
- #C2009 w/Custom Dye-Sub flag
(refer to page 3 for CUSTOM DYE SUB orders)

Stately 7½

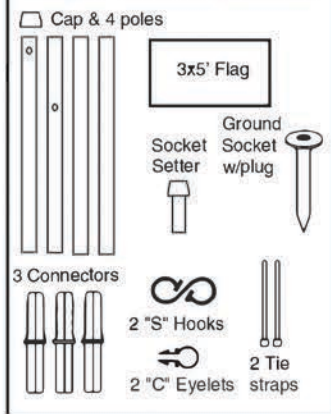
Perfect for Stage Displays



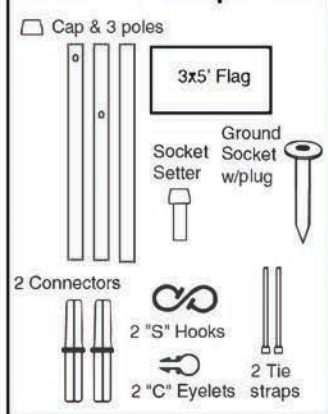
INDOOR STATELY SERIES

- #S3001 w/printed polyester US flag
- #S3002 w/embroider-sewn nylon US flag
- #S3003 w/Air Force flag
- #S3004 w/Army flag
- #S3005 w/Coast Guard flag
- #S3006 w/Marine Corps flag
- #S3007 w/Navy flag
- #S3008 w/POW flag
- #S3009 w/Custom Dye-Sub flag
(refer to page 3 for CUSTOM DYE SUB orders)

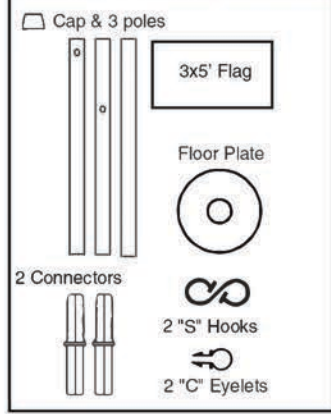
Regal 10 Components



Classic 7 Components



Stately 7½ Components



EASY TO INSTALL

1. Install Anchor
2. Assemble Pole
3. Attach Flag
4. Stand Pole in Anchor

Fast 3-step assembly

1. Assemble Pole
2. Attach Flag
3. Stand Pole in Floor Plate

THIS PROGRAM WILL BECOME A MAINSTAY IN PLANNING YOUR ANNUAL BUDGET

FLAGSFORHEROES.NET • Steve Cropper 302-381-6005 • flagsforheroes.net@gmail.com